



SUPER DECK D-DSP SERIES GAS DECK OVENS



D-125 DSP
shown without top riser
and without skirts

SPECIFICATIONS

BAKERS PRIDE D Series DSP Deck Ovens are ideal for display cooking and exhibition kitchens. These ovens are designed and engineered to be "built-in" behind brick stone or tile applied directly to ovens exterior or finished and trimmed in brass, copper, stainless or powder-coated trim.

Ovens may be stacked two high. Oven exteriors are all heavy-gauge, type 403 stainless steel and are fully insulated up to 5" (127mm) thick for cooler outer temperatures and consistent interior temperatures.

Interior oven frame is constructed of 1/4" (6mm) heavy-duty angle iron frame, completely welded to form a single, unitized section. The oven body and lining are then welded to the framework.

Oven interiors are manufactured of high-heat resistant 16-gauge aluminized steel. Doors are fully insulated, spring balanced to remain open or closed until moved and are finished in black powder coat with hard wood handles.

All models feature independent, operator-controlled top & bottom heat control dampers and micro slides for perfectly balanced results.

D Series features a 300°-650° F (149°-343°C) throttling thermostat, 10 3/4" (273mm) interior deck height with 1 1/2" (38mm) thick hearth stone decks (steel decks optional) and are supported by a 1/4" (6mm) angle iron frame.

Combination gas control incorporates a manual gas valve, safety pilot and pressure regulator. Easily removable, slide-out, heavy-duty flame diverters distribute the burner flame uniformly in the burner chamber. A 3/4" (19mm) NPT gas connection is located on the left side and left rear of oven - operator/installer may choose.

Heavy-duty, 7-gauge hot rolled steel legs are standard and finished with durable Bakertone gray paint.

2 Year limited part and labor warranty standard.

Job _____ Item # _____

GAS DECK OVENS



- Model D-125 DSP Single
- Model D-250 DSP Double

STANDARD FEATURES

- D Series @ 125,000 BTUH per deck natural gas or 105,000 BTUH in LP gas (LP gas not CE certified)
- 300°-650° F (149°-343°C) throttling thermostat
- Top & bottom heat control dampers & micro-slides
- Combination gas controls with valve, regulator & safety pilot
- Heavy-duty, slide-out flame diverters
- 10 3/4" (273mm) interior deck heights with 1 1/2" (38mm) thick stone hearth decks
- All stainless steel exteriors
- Aluminized steel interiors
- Spring balanced, fully insulated doors finished in black powder coat with custom hard wood handles or stainless steel with tubular steel handles
- Front or side mounted controls with large, hinged access cover in black powder coat or stainless steel
- Riser top - removable for field installation
- Front & side skirts
- Left side or rear gas connections on models with front mounted controls - rear gas connection only on models with side mounted controls
- 7-Gauge legs
- Fully insulated throughout
- 2 Year limited part and labor warranty

OPTIONS & ACCESSORIES

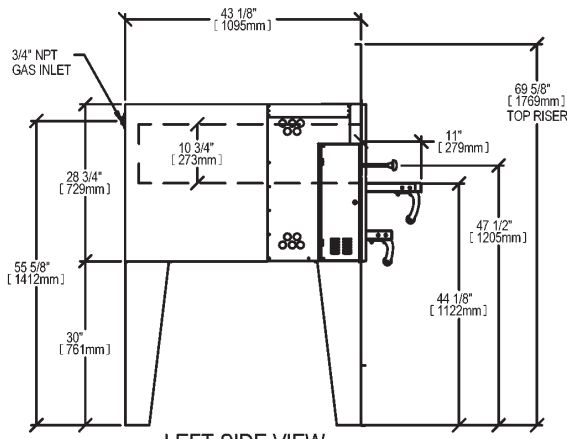
- Steel decks
- 150°-550° F (65°-288°C) bake thermostat
- Set of 4 casters - two with locks - not for use with skirts
- Stainless steel leg covers
- Special height legs
- Automatic oven starter
- Draft flue for direct vent (not available on CE units)
- Black powder coated doors with hard wood handles
- Black powder coated hinged control access door panel
- Without dome and/or without skirts

CERTIFICATIONS

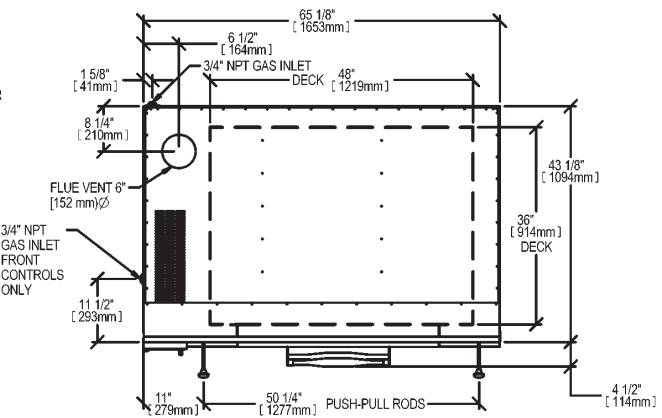


BAKERS PRIDE OVEN COMPANY, INC.
30 Pine Street, New Rochelle, NY 10801
914/576-0200 • 1-800-431-2745 • fax 914/576-0605
www.bakerspride.com

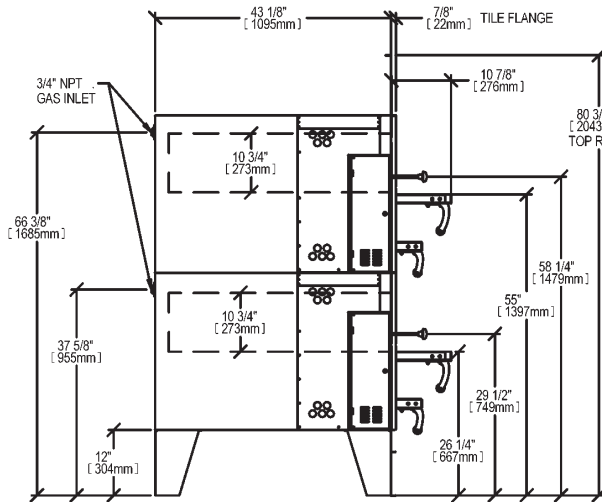
Continuous product improvement is a policy of Bakers Pride Oven Company. Therefore, specifications and design are subject to change without notification



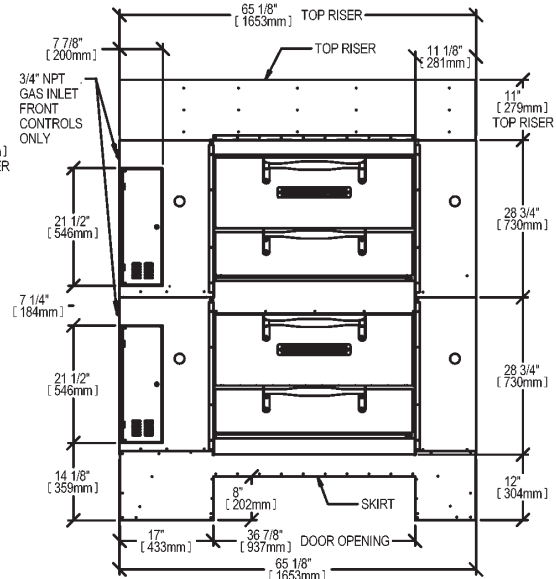
LEFT SIDE VIEW
SINGLE UNIT WITH SIDE CONTROLS



TOP VIEW



LEFT SIDE VIEW
STACKED UNIT WITH SIDE CONTROLS



FRONT VIEW
STACKED UNIT WITH FRONT CONTROLS

ALL DIMENSIONS NOMINAL

SHIPPING INFORMATION

Model	Shipping Weight		Carton Dimensions				Crate Size			
	Lbs.	Kilos	Width Inches	mm	Depth Inches	mm	Height Inches	mm	Cubic Feet	Cubic Meter
D-125	1385	626	31	787	53	1364	82	2083	88	2.5

Each oven ships separately
Hearth Decks and Legs ship in separate cartons

SPECIFICATIONS

Model	Deck Sizes		# Decks	Overall Dimensions					
	in.	mm		Width Inches	mm	Depth Inches	mm	Height* Inches	mm
D-125	48 x 36	1219 x 914	1	65 1/4	1657	43	1092	59	1499
D-250	48 x 36	1219 x 914	2	65 1/4	1657	43	1092	70	1778

* Overall height excludes dome top

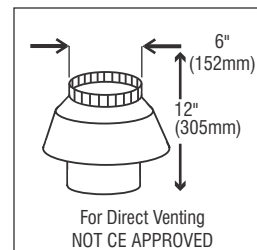
MINIMUM CLEARANCES

	Noncombustible Construction		Combustible Construction	
	Inches	mm	Inches	mm
Right	0	0	1	25
Left	0	0	3	76
Rear	2	51	3	76

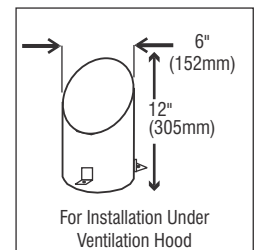
GAS SUPPLY

Model	GAS TYPE	BTUH	KW	CONNECTION
D-125	natural	125,000	36.6	3/4"
D-250	natural	250,000	30.7	3/4"
D-125	LP	105,000	73.2	3/4"
D-250	LP	210,000	61.4	3/4"

CE certification not available in LP gas



MUST BE SPECIFIED
AT TIME OF ORDER



STANDARD



BAKERS PRIDE OVEN COMPANY, INC.
30 Pine Street, New Rochelle, NY 10801
914/576-0200 • 1-800-431-2745 • fax 914/576-0605
www.bakerspride.com

Continuous product improvement is a policy of Bakers Pride Oven Company. Therefore, specifications and design are subject to change without notification

TSW:07/06